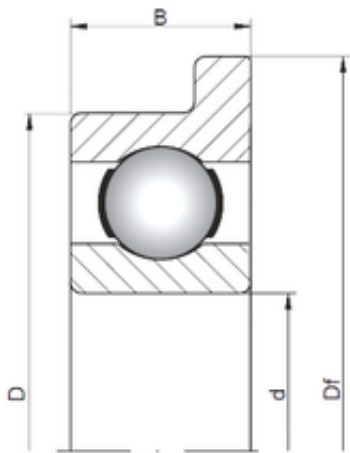




Dacheng mechanical equipment manufact...



2 mm x 6 mm x 2,3 mm ISO FL619/2 deep groove ball bearings

Bearing No. FL619/2

Dimensione	2x6x2.3 mm
Marchio	ISO
Diametro del foro	2 mm
Diametro esterno	6 mm
Larghezza	2,3 mm
d	2 mm
D	6 mm
B	2,3 mm
C	2,3 mm
Df	7,5 mm

FL619/2 Bearing 2D drawings and 3D CAD models