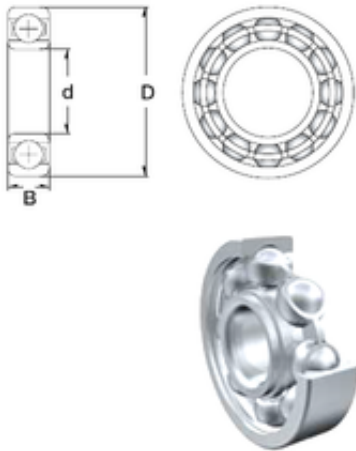




## Dacheng mechanical equipment manufact...



4 mm x 9 mm x 4 mm ZEN S684-2RS deep groove ball bearings

Bearing No. S684-2RS

Size	4x9x4 mm
Bore Diameter	4 mm
Outer Diameter	9 mm
Width	4 mm
d	4 mm
D	9 mm
B	4 mm
C	4 mm
Basic dynamic load rating (C)	0,641 kN
Basic static load rating (C0)	0,227 kN

S684-2RS Bearing 2D drawings and 3D CAD models