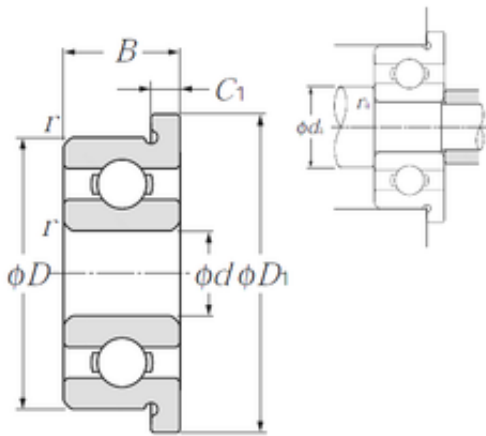




Dacheng mechanical equipment manufact...



4,762 mm x 7,938 mm x 2,779 mm NTN
FLR156 deep groove ball bearings

Bearing No. FLR156

Size	4.762x9.12x2.779 mm
Bore Diameter	4,762 mm
Outer Diameter	9,12 mm
Width	2,779 mm
d	4,762 mm
D	7,938 mm
D1	9,12 mm
B	2,779 mm
C	2,779 mm
r min.	0,08 mm
C1	0,58 mm
da min.	5,5 mm
da max	5,6 mm
Da max.	7 mm
ra max.	0,08 mm
Weight	0,51 Kg
Basic dynamic load rating (C)	0,395 kN
Basic static load rating (C0)	0,143 kN
(Grease) Lubrication Speed	49000 r/min
(Oil) Lubrication Speed	58000 r/min

FLR156 Bearing 2D drawings and 3D CAD models