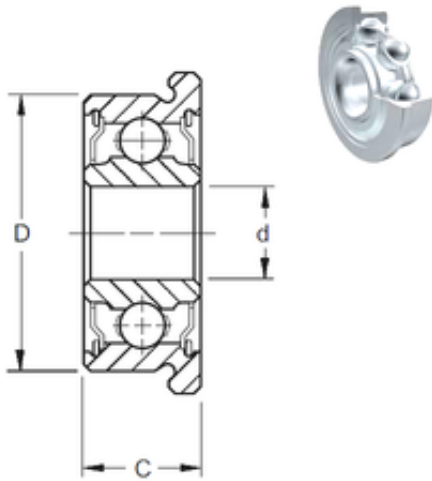




Dacheng mechanical equipment manufact...



2 mm x 5 mm x 2,3 mm ZEN F682-2Z deep groove ball bearings

Bearing No. F682-2Z

Size	2x5x2.3 mm
Bore Diameter	2 mm
Outer Diameter	5 mm
Width	2,3 mm
d	2 mm
D	5 mm
B	2,3 mm
C	2,3 mm
Basic dynamic load rating (C)	0,169 kN
Basic static load rating (C0)	0,05 kN

F682-2Z Bearing 2D drawings and 3D CAD models