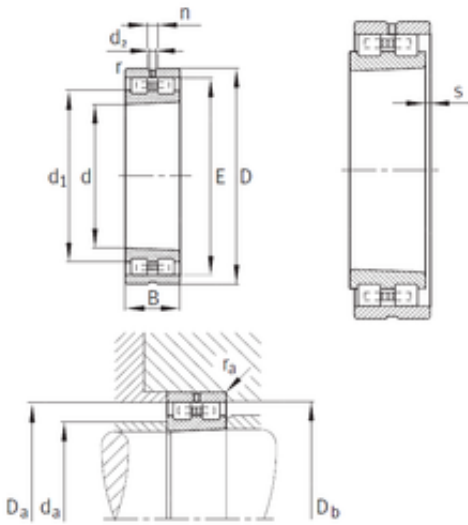




Dacheng mechanical equipment manufact...



70 mm x 110 mm x 30 mm INA NN3014-AS-K-M-SP cylindrical roller bearings

Bearing No. NN3014-AS-K-M-SP

Size	70x110x30 mm
Bore Diameter	70 mm
Outer Diameter	110 mm
Width	30 mm
d	70 mm
D	110 mm
E	100 mm
B	30 mm
C	30 mm
n	6,5 mm
d1	85,6 mm
d2	3,2 mm
r min.	1,1 mm
da min.	76 mm
Da max.	104 mm
Db min.	102 mm
ra max.	1 mm
S	2,3 mm
Weight	1,04 Kg
Basic dynamic load rating (C)	98 kN
Basic static load rating (C0)	150 kN
(Grease) Lubrication Speed	7 000 r/min
(Oil) Lubrication Speed	8 500 r/min

NN3014-AS-K-M-SP Bearing 2D drawings and 3D CAD models