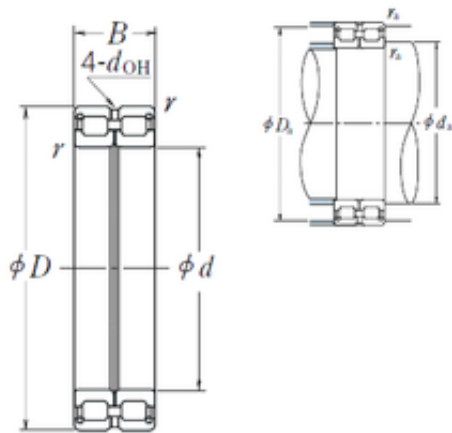




Dacheng mechanical equipment manufact...



300 mm x 380 mm x 80 mm NSK RS-4860E4
cylindrical roller bearings

Bearing No. RS-4860E4

RS-4860E4 Bearing 2D drawings and 3D CAD models

Size	300x380x80 mm
Bore Diameter	300 mm
Outer Diameter	380 mm
Width	80 mm
d	300 mm
D	380 mm
B	80 mm
C	80 mm
r min.	2,1 mm
da min.	311 mm
Da max.	369 mm
ra max.	2 mm
Weight	23 Kg
Basic dynamic load rating (C)	805 kN
Basic static load rating (C0)	2160 kN
(Grease) Lubrication Speed	320 r/min
hidYobi	RS-4860E4
LangID	1
D_	380
B_	80
hidTable	ecat_NSCLDRS
Oil rpm	320
mass	23
GRS rpm	630
ra	2



Dacheng mechanical equipment manufact...

da_min	311
C0	2160
DE_	357.2
Prod_Type3	CRB_FRFS_OT_FIX
DA_	18
Z_	59
yobi	RS-4860E4
da_max	369
SDM_	339.2
r	2.1
KBRG	4220
disp	5
DI_	321.2
doh	6