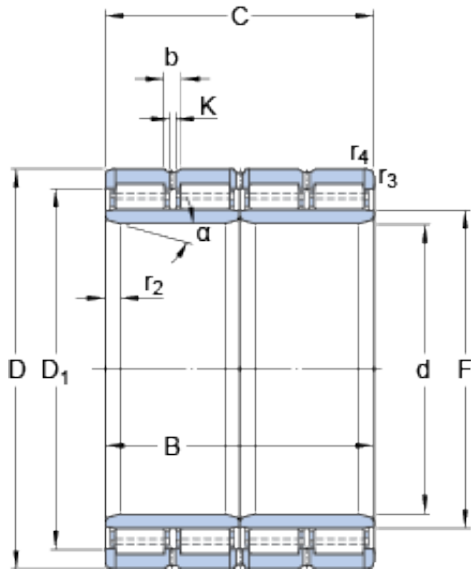




Dacheng mechanical equipment manufact...



313528 C Bearing 2D drawings and 3D CAD models

900 mm x 1280 mm x 930 mm SKF 313528 C
cylindrical roller bearings

Bearing No. 313528 C

Size	1280x900x930 mm
Bore Diameter	1280 mm
Outer Diameter	900 mm
Width	930 mm
d	900 mm
D	1280 mm
B	930 mm
C	930 mm
D ₁	1152 mm
F	1000 mm
b	22.3 mm
K	12 mm
r _{1,2} - min.	25 mm
	20 °
r _{3,4} - min.	4 mm
Basic dynamic load rating - C	33000 kN
Basic static load rating - C ₀	93000 kN
Fatigue load limit - P _u	6000 kN
Calculation factor - k _r	780
Mass bearing	4080 kg
Design variant/feature	BC4.10/W33WI
D ₁	1152 mm
r _{1,2} min.	25 mm
	20 °



Dacheng mechanical equipment manufact...

$r_{3,4}$ min.	4 mm
Basic dynamic load rating C	33000 kN
Basic static load rating C_0	93000 kN
Fatigue load limit P_u	6000 kN
Calculation factor k_r	0