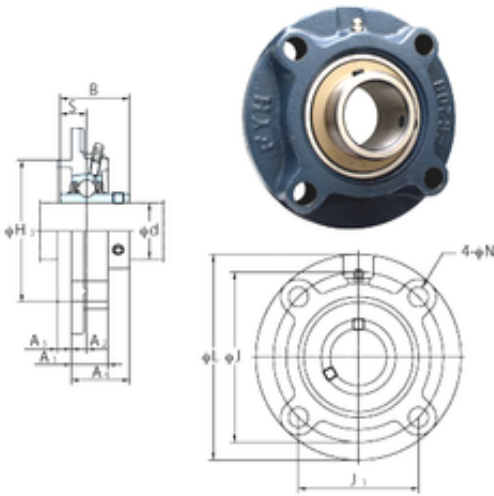




FYH UCFCX10-31 bearing units

Bearing No. UCFCX10-31



UCFCX10-31 Bearing 2D drawings and 3D CAD models

Bore Diameter	49,2125 mm
d	49,2125 mm
H3	118 mm
A4	40,4 mm
A1	25 mm
B	55,6 mm
J	136 mm
L	162 mm
N	14 mm
S	22,2 mm
Bolt (G)	M12
A2	7 mm
A3	16 mm
J1	96,2 mm
Weight	3,2 Kg
Basic dynamic load rating (C)	43,4 kN
Basic static load rating (C0)	29,4 kN