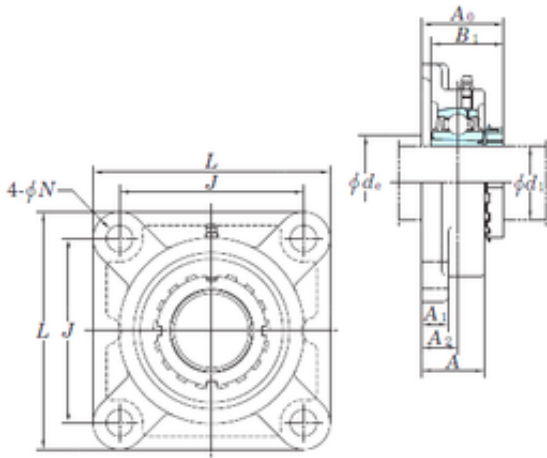




KOYO UKF217 bearing units



Bearing No. UKF217

Bore Diameter	76,2 mm
d	76,2 mm
A0	76 mm
d3	96 mm
A	63 mm
A1	24 mm
B1	63 mm
J	175 mm
L	220 mm
N	23 mm
Thread (G)	M20
A2	36 mm
Weight	9 Kg
Basic dynamic load rating (C)	84 kN
Basic static load rating (C0)	61,9 kN

UKF217 Bearing 2D drawings and 3D CAD models