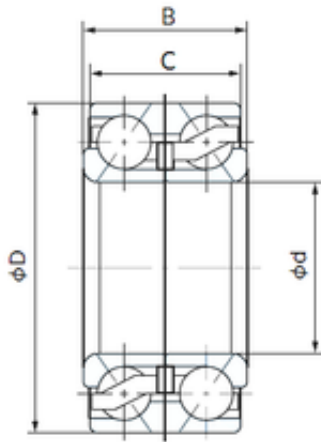




## Dacheng mechanical equipment manufact...



38 mm x 74 mm x 36 mm NACHI  
38BVV07-26G angular contact ball bearings

Bearing No. 38BVV07-26G

Size	38x74x36 mm
Bore Diameter	38 mm
Outer Diameter	74 mm
Width	36 mm
d	38 mm
D	74 mm
B	36 mm

38BVV07-26G Bearing 2D drawings and 3D CAD models